

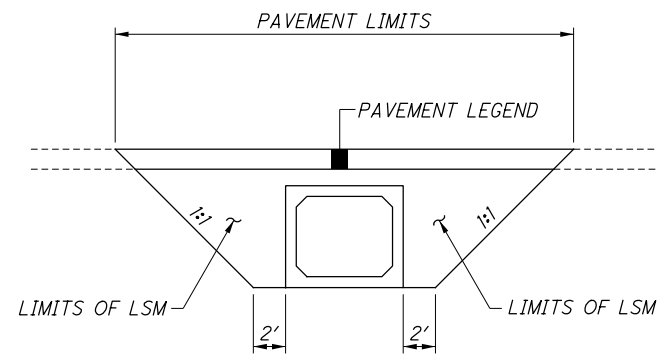


0 5 10  
HORIZONTAL  
SCALE IN FEET

CALCULATED  
MG  
CHECKED  
KVS

**CULVERT  
DETAILS**

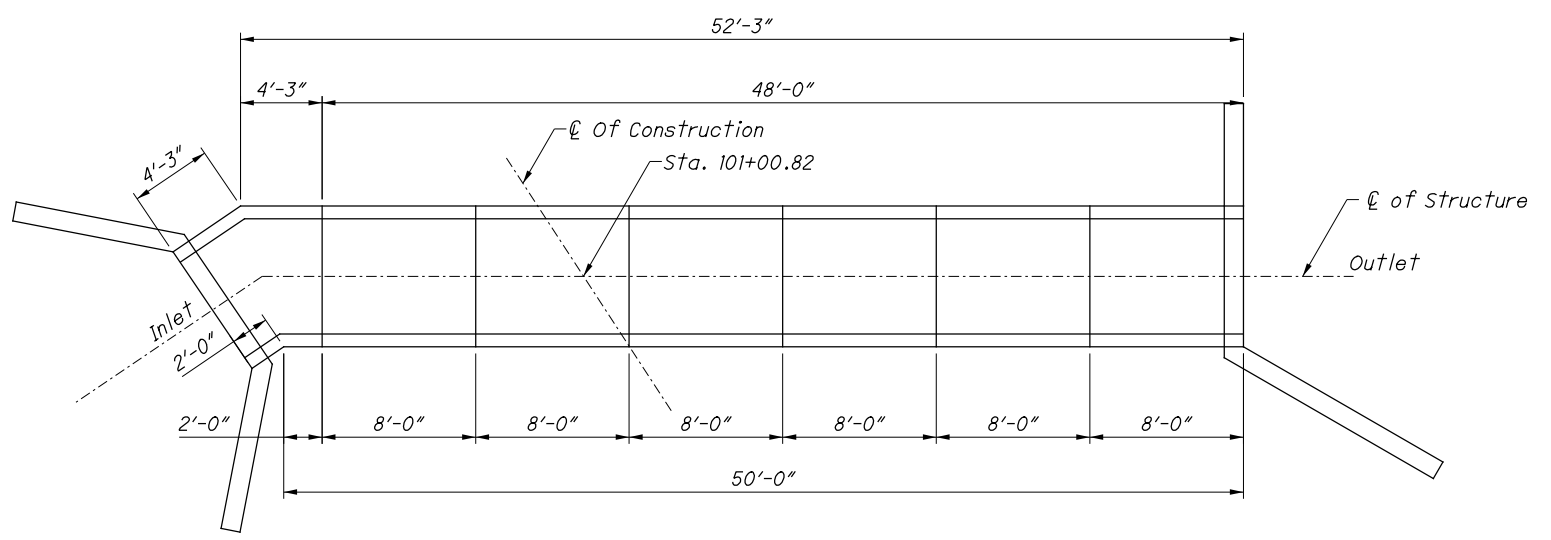
**BUT - TR1080 - 00.170**



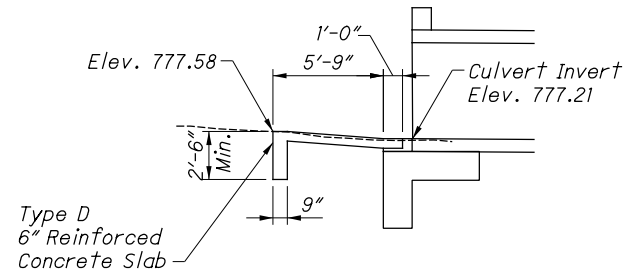
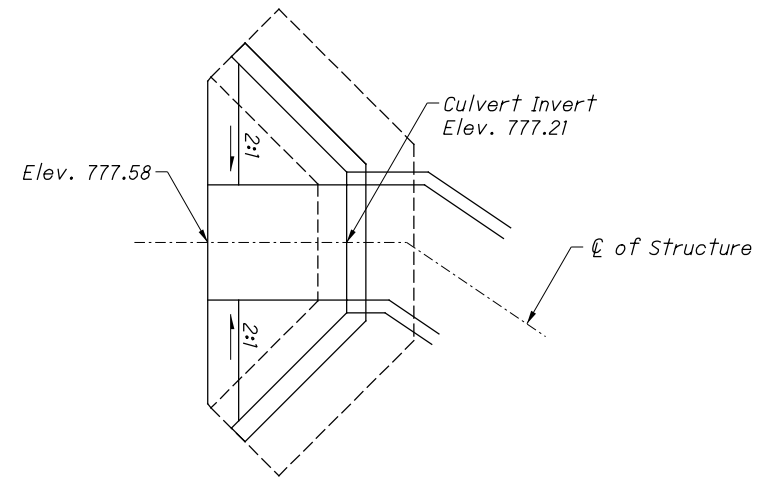
**PAVEMENT LEGEND**

- ITEM 441 - 1 1/2" ASPHALT CONCRETE SURFACE COURSE, TYPE 1, (448) PG64-22
- ITEM 441 - 1 1/2" ASPHALT CONCRETE INTERMEDIATE COURSE, TYPE 1, (448) PG64-22
- ITEM 407 - TACK COAT
- ITEM 301 - 6" ASPHALT CONCRETE BASE, PG64-22
- ITEM 304 - 6" AGGREGATE BASE

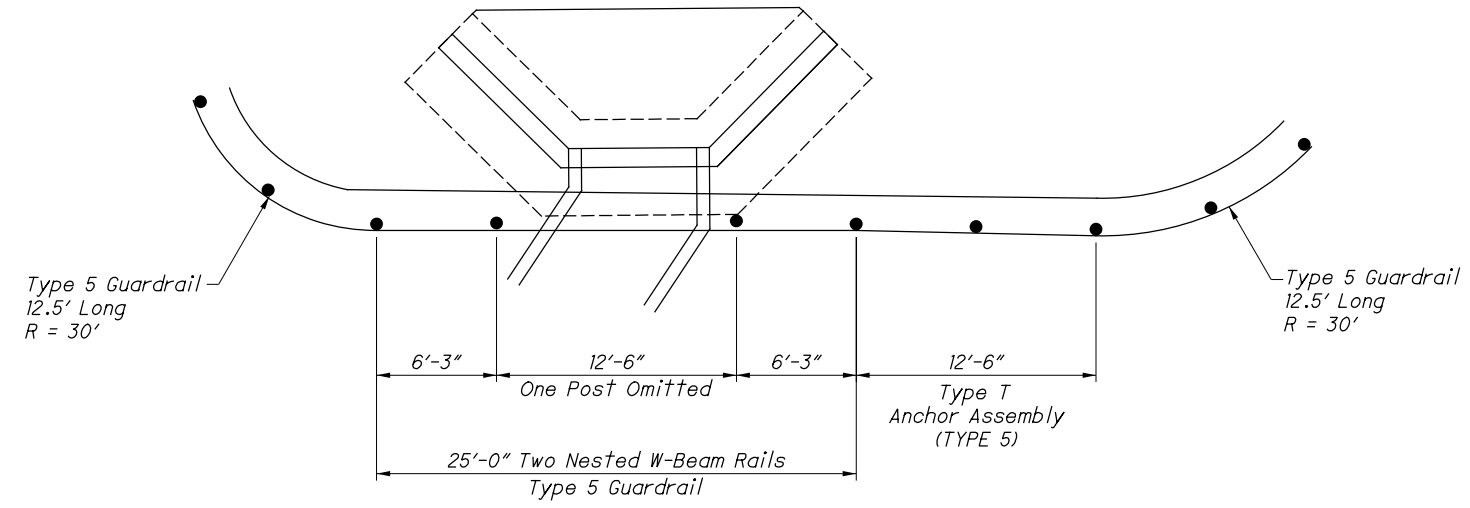
PAVEMENT MARKING NOTE:  
 A QUANTITY FOR THE FOLLOWING ITEMS HAS BEEN INCLUDED IN THE GENERAL SUMMARY SHEET FOR THE PROPOSED PAVEMENT MARKINGS.  
 ITEM 442 - EDGE LINE, 4"  
 ITEM 442 - CENTER LINE, DOUBLE YELLOW



**PLAN DETAIL**



**INLET DETAIL**



**GUARDRAIL DETAIL**

Note:  
 Face of Rail Shall Be a Minimum of 2' From Edge of Pavement.

S:\Design\Projects\Township\HANOVER\Gene\_Ave\C108000170\drainage\sheets\00170DC001.dgn Sheet 10/24/2022 11:09:28 AM goodmann